



SDNR-8630 SDNR-8630P



Digital Noise Reduction

Reduces DVR disk space usage by up to 70%
Dramatically reduces both random and fixed noise



101,052 Bytes
100%



31,541 Bytes
30%

Super Low Lux

The Sens-up function strengthens the ability to achieve higher sensitivity for lighting in pitch-black situations

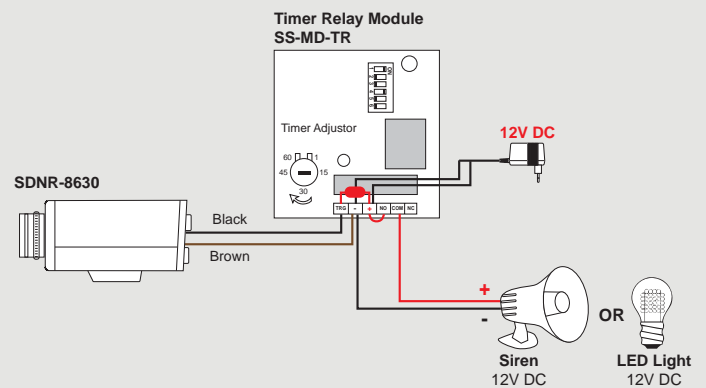


0.1 Lux



0.00039 Lux (Sens-up)

- 1/3" Sony Super HAD CCD II
- 630 TV Lines
- **Digital Noise Reduction (DNR)**
- **0.00039 (Sens-up, 256X)**
0.1 Lux (50 IRE @ F1.4)
- **Mechanical IR Cut Filter (ICR)** ★
- Built-in Microphone RCA Output ★
- On-Screen Display (OSD)
- RS485 Output for OSD Control ★
- Alarm Output: Black/Brown ★
- Dual Power 12V DC / 24V AC



* Lens Not Included

★ New additional features x5

** Replacing SDNR-F630DN-OSD

P = PAL Version

DNR Super Low Lux

Day & Night OSD Camera



SPECIFICATIONS

FC CE RoHS Made in Taiwan

Model	SDNR-8630	SDNR-8630P
Signal Format	NTSC	PAL
Image Sensor	1/3" Sony Super HAD CCD II	
DSP	NVP2170 DN High End ASIC Solution	
Total Pixels	811(H) x 508(V)	795(H) x 596(V)
Synchroizing System	Internal / Line Lock	
Resolution	630 TV Lines	
Scanning System	2:1 Interlace	
Minimum Illumination	0.1 Lux (50 IRE @ F1.4) , 0.00039 (Sens-up, 256X)	
S/N Ratio	More than 50db (AGC OFF)	
WDR Function	Indoor / Outdoor / OFF	
Digital Noise Reduction	3 DNR; ON / OFF(0~100)	
Day & Night	Auto / B/W / Color / EXT	
Digital Zoom	ON / OFF (0~32x)	
Auto Gain Control	Low / Middle / High / OFF	
White Balance	AWB / AWC-SET / MANUAL / INDOOR / OUTDOOR / ATW	
Back Light Compensation	BLC / HSBLC / OFF	
Picture Adjust	Sharpness / CB_Gain / CR_Gain (level adjustable)	
Electronic Shutter	Auto 1/60 ~ 1/100,000 sec / Flk X2~X256	Auto 1/50 ~ 1/100,000 sec / Flk X2~X256
Video Output	1.0 Vp-p / 75 ohm composite (BNC)	
Audio Output	RCA	
Camera Title	ON / OFF	
Sens-Up	ON / OFF (Selectable limit ~ 256X)	
Picture Effect	Freeze / Mirror / flip / 180° rotate / D-zoom / Gamma / Neg. image	
Alarm Relay Out	NO + COM	
OSD Control	Button / Remote controller / RS485 Control keyboard	
OSD Language	ENGLISH, CHINESE, JAPANESE	
Mechanical IR Cut Filter (ICR)	Auto / Day / Night	
Lens Type	C/CS, DC/Video --- Lens not included	
Power Source	12V DC / 24V AC ± 10% / 1A	
Power Consumption & Current	2.5W ; 230mA (Max)	
Operating & Storage Temp.	14°F ~ 122°F / -10°C ~ 50°C ; -4°F ~ 158°F / -20°C ~ 70°C	
Dimension & Weight	127.2(W) x 52.3(H) x 69.3(D) mm ; 0.79 lbs / 360 g	

DIMENSIONS

*Specifications and appearance are subject to change without notice

