



NI4VD24-VX4



FEATURES

- **HD 2048x1536 @ 20fps**
- 4 Megapixel High Resolution
- 1/3" Progressive Scan CMOS
- 4X Motorized 2.8~12mm Lens
- 0.01 lux @ F1.2 (AGC ON), 0.014 Lux @ F1.4 (AGC ON), 0 Lux with IR
- 24 IR LED
- IR distance up to 100ft / 30m
- Mechanical IR Cut Filter (ICR)
- True WDR & 3D DNR & BLC
- Built-in Micro SD/SDHC/SDXC card Slot
- Audio/Alarm Input & Output
- Max. 5.5W
- 12V DC / POE (802.3af)
- IP66 & IK10 Rating

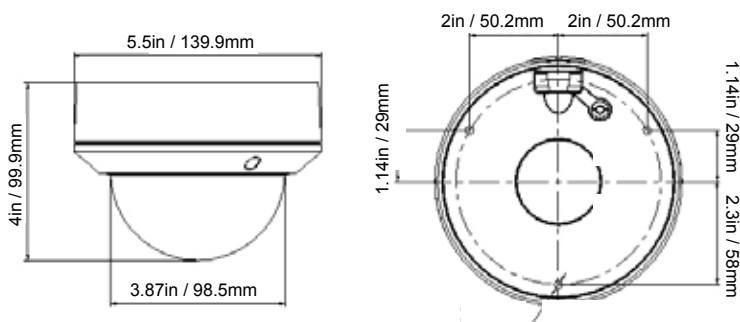
SPECIFICATIONS - Product Code: NI4VD24-VX4

PIC: IP-30

Image Sensor	1/3" Progressive Scan CMOS	Audio Bit Rate	64Kbps (G.711) / 16Kbps (G.722.1) / 16Kbps (G.726) / 32-128Kbps (MP2L2)
Horizontal Resolution	4 Megapixel	Image Settings	Rotate Mode, Saturation, Brightness, Contrast, Sharpness adjustable through client software or web browser
Max. Image Resolution	2688×1520	BLC	Yes, Zone Optional
Frame Rate	50Hz: 20fps (2688×1520), 25fps (1920×1080), 25fps (1280×720) 60Hz: 20fps (2688×1520), 30fps (1920×1080), 30fps (1280×720)	Network Storage	NAS (Supports NFS, SMB / CIFS)
Shutter Time	1/3s ~ 1/10,000s	Alarm Trigger	Intrusion Detection, Line Crossing detection, Motion detection, Dynamic Analysis, Tampering alarm, Network disconnect, IP address conflict, Storage exception
Slow Shutter	Support	Protocols	TCP/IP, UDP, ICMP, HTTP, HTTPS, FTP, DHCP, DNS, DDNS, RTP, RTSP, RTCP, PPPoE, NTP, UPnP, SMTP, SNMP, IGMP, 802.1X, QoS, IPv6, Bonjour
Minimum Illumination	0.01 lux @ F1.2 (AGC ON), 0.014 Lux @ F1.4 (AGC ON), 0 Lux with IR	System Compatibility	ONVIF (PROFILE S, PROFILE G), PSIA, CGI, ISAPI
Day & Night	Built-in Mechanical IR Cut Filter (ICR) with Auto Switch	General Functionalities	One-key reset, flash-prevention, dual stream, heartbeat, mirror, password protection, privacy mask, watermark, IP address filtering, anonymous access
Digital Noise Reduction	3D DNR	Communication Interface	1 RJ45 10M / 100 M Ethernet interface
Wide Dynamic Range	True WDR, 120dB	On-board Storage	ANR, Built-in Micro SD / SDHC / SDXC card slot, up to 128 GB
IR LED	24pcs IR	Power Source	12V DC ± 10%, PoE (802.3af)
IR Distance	60 ~ 100 feet / 20 ~ 30 meters	Power Consumption	Max. 5.5W
Lens Type	4X Motorized 2.8~12mm Lens @ F1.4 / Angle of view: 98° ~ 30.5°	Impact Protection	IEC60068-275Eh, 20J; EN50102, up to IK10
Lens Mount	Φ14	IP Rating	IP66
Angle Adjustment	Pan:0° - 355°, Tilt: 0° - 75°, Rotation: 0° - 355°	Operating Temperature	-22 °F ~ 140 °F / -30 °C ~ 60 °C
Video Compression	H.264 / MJPEG / H.264+	Humidity	95% or less (non-condensing)
Video Bit Rate	32Kbps ~ 16Mbps	Dimension	5.6(W) x 3.9(H) inches / 142(W) x 99.9(H) mm
Dual Stream	Yes	Net Weight	2.2 lbs / 1 kg
Audio Compression	G.711 / G.722.1 / G.726 / MP2L2		

*Specifications and appearance are subject to change without notice

DIAGRAM



OPTIONAL ACCESSORIES



BK-107



BK-108



BK-109