



NI4FD30-V028



FEATURES

- **HD 2688x1520 @ 20fps**
- 2688x1520 @ 20fps 4 Megapixel High Resolution
- 1/2.8" progressive scan CMOS
- 2.8mm Fixed Lens
- 0.01 lux @ (F1.2, AGC ON), 0 lux with IR
- 30 IR LED
- IR distance up to 90ft / 25m
- Mechanical IR Cut Filter (ICR)
- 3D DNR & True WDR & BLC
- Max. 5W
- 12V DC / POE (802.3af)
- IP66 & IK10 Rating

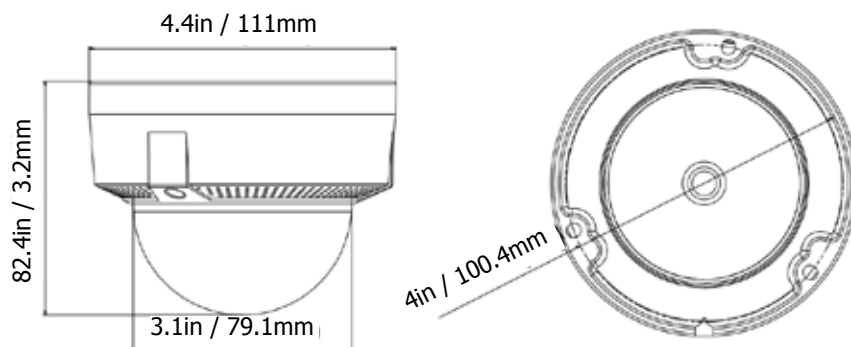
SPECIFICATIONS - Product Code: NI4FD30-V028

PIC: IP-21

Image Sensor	1/2.8" Progressive Scan CMOS	BLC	Yes, Zone Optional
Horizontal Resolution	4MP	Network Storage	NAS
Max. Image Resolution	2688x1520	On-board Storage	Micro SD slot, up to 128GB
Frame Rate	20fps (2688x1520), 30fps (1920x1080)	Alarm Trigger	Motion detection, tampering alarm
Shutter Time	1/30s ~ 1/100,000s	Protocols	TCP/IP, HTTP, DHCP, DNS, DDNS, RTP, RTSP, PPPoE, SMTP, NTP, SNMP, HTTPS, FTP, 802.1x, Qos
Minimum Illumination	0.01 lux@F1.2, AGC ON 0 lux with IR	System Compatibility	ONVIF, PSIA, CGI
Day & Night	Built-in Mechanical IR Cut Filter (ICR)	General Functionalities	User authentication, watermark
Digital Noise Reduction	3D DNR	Communication Interface	1 RJ45 10M/ 100 M Ethernet interface
Wide Dynamic Range	True WDR 120db	Power Source	12 VDC ± 10%, PoE (802.3af)
IR LED	30pcs IR	Power Consumption	Max. 5W
IR Distance	Up to 90ft / 25m	Impact Protection	IEC60068-275Eh, 50J; EN50102, up to IK10
Lens Type	2.8mm @ F2.0, angle of view: 75.8°	IP Rating	IP66
Angle Adjustment	Pan: -90° ~ 90°, tilt 0° ~ 75°	Operating Temperature	-22°F ~ 104°F / -30°C ~ 60°C
Video Compression	H.264 / MJPEG / H.264+	Humidity	95% or less (non-condensing)
Dual Stream	Yes	Dimension	4.4(Ø) x 3.2(H) inches 111(Ø) x 82.4(H) mm
Image Settings	Saturation, brightness, contrast, sharpness adjustable through client software or web browser	Net Weight	1.1 lbs / 0.5kg

*Specifications and appearance are subject to change without notice.

DIAGRAM



OPTIONAL ACCESSORIES

