

EIR24-3650
EIR24-3650P

Operational Manual

24 IR Waterproof Bullet Color Camera



FEATURES

- 1/3" Sony Ex-View HAD II CCD
- Sony Effio-E DSP
- 650 TV Lines
- 24 IR LED
- IR Distance up to 60ft / 20m
- 3.6mm Board Lens
- IP68 Rating
- 3-AXIS Bracket
- IR "on": 310mA / IR "off": 90mA
- 12V DC

This IR camera uses a high sensitive 1/3" Interline transfer Charge Coupled Device (CCD) image sensor and an all-state circuitry, which provides extremely long life and high reliability. This camera offers excellent image quality and functions with low lag and high burn resistance, and is not subject to distortions from magnetic fields. This camera is an excellent choice for your CCTV system because it is highly resistant to shock and vibration, plus it is very easy to install.



Please read the Manual before attempting to use this product.



CAUTION

RISK OF ELECTRIC SHOCK
DO NOT OPEN!



TO REDUCE THE RISK OF ELECTRICAL SHOCK,
DO NOT OPEN COVERS (OR BACK).
NO USER SERVICEABLE PARTS INSIDE.
REFER SERVICING TO QUALIFIED
SERVICE PERSONNEL.



Disposal of Old Electrical & Electronic Equipment (Applicable in the European Union and other European countries with separate collection systems).

This symbol on the product or on its packaging indicates that this product shall not be treated as household waste. Instead it shall be handed over to the applicable collection point for the recycling of electrical and electronic equipment. By ensuring this product is disposed of correctly, you will help prevent potential negative consequences for the environment and human health, which could otherwise be caused by inappropriate waste handling of this product. The recycling of materials will help to conserve natural resources. For more detailed information about recycling of this product, please contact your local city office, your household waste disposal service or the shop where you purchased the product.

CAUTION

1. Never point the camera toward the sun

Do not expose the lens directly to the sun or to strong light as this may damage the pick-up device.

2. Handle this camera with care

Avoid any shock or bumping of the camera. Improper handling could damage the camera.

3. Requires a proper operating environment

This camera is designed for indoor use. The allowable temperature range for operation of this camera is between -4°F ~ 122°F / -10°C ~ 50°C.

4. Clean the front face or lens

It is recommended that the surface be cleaned every 3~6 months. Cleaning should be done by using a chamois, a very fine soft cloth, lens tissue, or cotton tipped applicator and ethanol to carefully remove any fingerprint or dust.

5. Check the power source voltage

The power source voltage should be within the specified range. (Camera must meet the specifications). Camera must be connected to a surge protector at all times.

6. Objects and liquid entry

Never push objects of any kind into this camera as this may touch dangerous voltage points of short out parts that could result in a fire or electric shock. Never spill any kind of liquid on the video product.

7. Servicing

Do not attempt to service this video product by yourself as opening or removing covers may expose you to dangerous voltage or other hazards. Refer all service to qualified servicing personnel.

8. Damage requiring service

Unplug this video product from the wall outlet and refer service to qualified servicing personnel under the following conditions:

- a. When the power supply cord or plug is damaged.
- b. If liquid has been spilled, or objects have fallen into the video product.
- c. If the video product has been exposed to rain or water.
- d. If the video product has been dropped or the cabinet has been damaged.
- e. When the video product exhibits a distinct change in performance.

LIMITED WARRANTY

This product is covered under warranty for one (1) year from the date of purchase. The warranty will automatically be voided if any of the following occurs:

1. Camera sticker is removed

If the camera sticker is removed, we will not be able to confirm any information regarding when and where the product was purchased. We have no other way to verify the purchase record without the serial number on the camera sticker; therefore, it should not be removed.

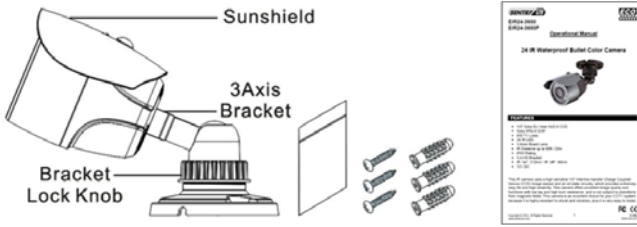
2. Camera is modified in any way

If the camera is scratched, damaged, or modified in a manner not described in this manual, the warranty will be voided immediately. It is the customer's responsibility to keep the camera in good condition.

3. Video or power cable is cut

The video cable and the power cable should not be tampered with. Cutting or modifying of the cables will result in termination of the warranty.

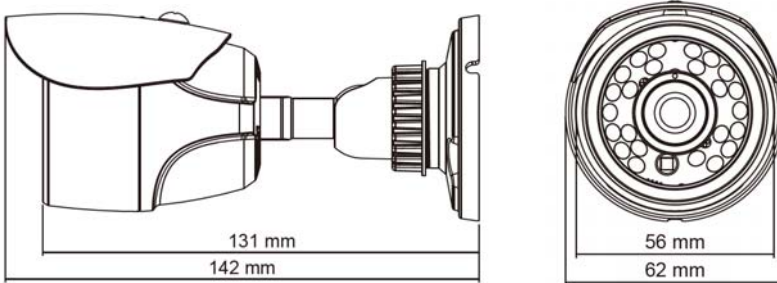
PACKAGE CONTENTS



- One (1) EIR24-3650/EIR24-3650P Camera with power/video cable and sunshield
- One (1) Bracket
- Three (3) Screws
- Three (3) Wall Anchors
- One (1) Operational Manual

* For any returns, please include all components listed above with original packaging in **Resalable Condition**. **Absolutely No Returns** will be accepted if any component is missing/damaged.

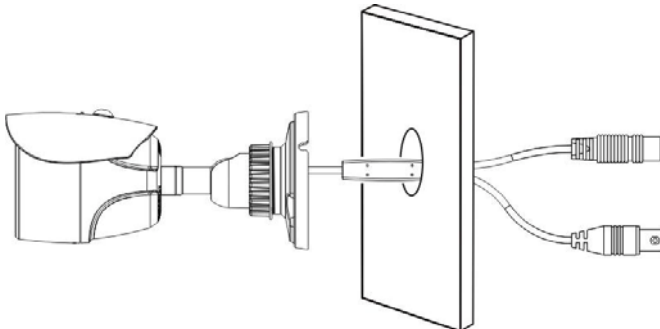
DIMENSIONS



INSTALLATION

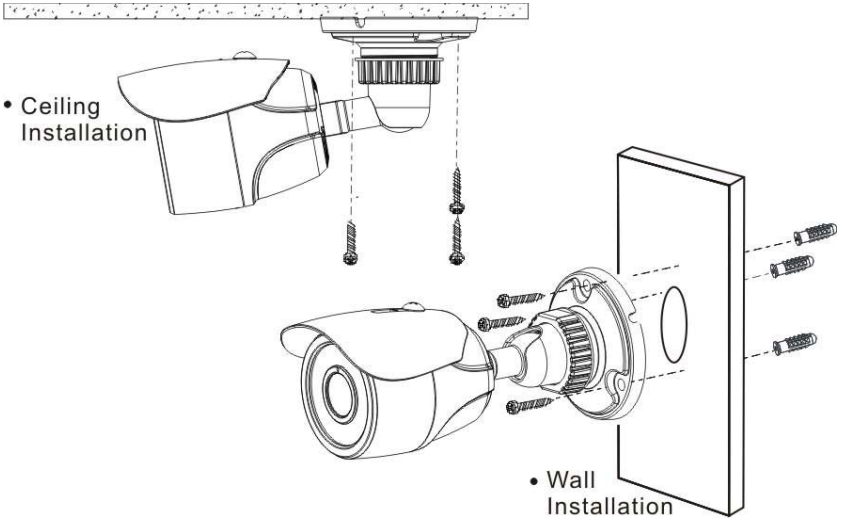
1. Install Preparation

Drill holes on wall if wires need to go through the wall.



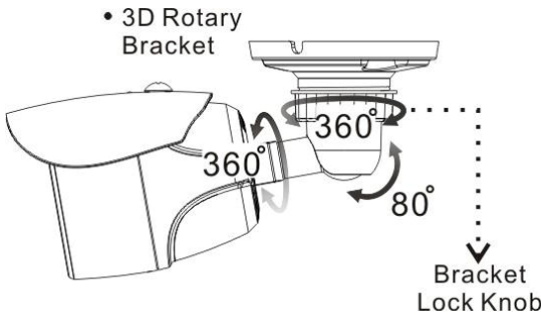
2. Install Camera

Use the 3 screws provided to attached the camera and bracket to the ceiling, surface, or wall.

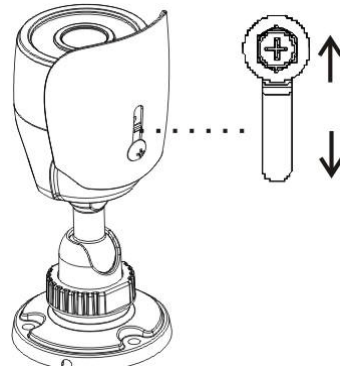


3. Adjust 3-AXIS Bracket

Adjust the bracket while checking the view angle from the monitor. Loosen the bracket lock knob by turning counter clockwise. After adjusting the 3-AXIS bracket (X-Y-Z Axis) to the desired viewing angle, tighten the lock knob by turning it clockwise.



4. Install Sunshield
Release the bolt in order to slide the sunshield forward or backward and secure the bolt to fix the sunshield in position.



SPECIFICATIONS

Model	EIR24-3650	EIR24-3650P
System	NTSC	PAL
Image Sensor	1/3" Sony Ex-View HAD II CCD	
DSP	Sony Effio-E	
Total Pixel	976(H) x 494(V)	976(H) x 582 (V)
Synchronizing System	Internal	
Resolution	650 TV Lines	
Minimum Illumination	0.01 Lux @ F1.2 / 0 Lux @ IR "on"	
S/N Ratio	More than 48dB (AGC Off)	
Auto Gain Control	Auto / Manual	
White Balance	Color Temperature: 1800K~10,500K	
Digital Noise Reduction (DNR)	Auto	
Gamma	0.45	
Electronic Shutter	1/60~1/100,000s	1/50~1/110,000s
Video Output	1Vp-p composite / 75 Ω	
Lens	3.6mm Board Lens	
IR LED	24 IR LED	
IR Wavelength	850 nm	
IR Distance	60ft / 20m	
IP Rating	IP68	
Power Supply	12V DC \pm 10%	
Power Consumption	IR ON	310mA
	IR Off	90mA
Operating Temperature	14°F ~ 122°F / -10°C ~ +50°C	
Dimension	10.51(L) x 4.29(W) x 6.77(H) inches / 267(L) x 109(W) x 172(H) mm with sunshield	

* Specifications are subject to change without notice