

**EPDX-3600B**    Black Base  
**EPDX-3600W**    White Base

## Operational Manual

# 600 TVL 3-AXIS Dome Camera



## FEATURES

- 600 TV Lines
- 1/3" Sharp CCD
- 3.6mm Board Lens
- 0.1 Lux @ F1.2
- 75mA
- 12V DC

This camera employs a digital signal processor (DSP) chip-set for image control with an integrated state circuitry which provides extremely long life and high reliability. This camera offers excellent image quality with low lag and high burn resistance, and is not subject to distortions from magnetic fields.

Specifications & contents within this manual are subject to change without notice.





Please read the Manual before attempting to use this product.



## CAUTION

RISK OF ELECTRIC SHOCK  
DO NOT OPEN!



TO REDUCE THE RISK OF ELECTRICAL SHOCK,  
DO NOT OPEN COVERS (OR BACK).  
NO USER SERVICEABLE PARTS INSIDE.  
REFER SERVICING TO QUALIFIED  
SERVICE PERSONNEL.



**Disposal of Old Electrical & Electronic Equipment (Applicable in the European Union and other European countries with separate collection systems).**

This symbol on the product or on its packaging indicates that this product shall not be treated as household waste. Instead it shall be handed over to the applicable collection point for the recycling of electrical and electronic equipment. By ensuring this product is disposed of correctly, you will help prevent potential negative consequences for the environment and human health, which could otherwise be caused by inappropriate waste handling of this product. The recycling of materials will help to conserve natural resources. For more detailed information about recycling of this product, please contact your local city office, your household waste disposal service or the shop where you purchased the product.

## CAUTION

- 1. Never point the camera toward the sun**  
Do not expose the lens directly to the sun or to strong light as this may damage the pick-up device.
- 2. Handle this camera with care**  
Avoid any shock or bumping of the camera. Improper handling could damage the camera.
- 3. Requires a proper operating environment**  
This camera is designed for indoor use. The allowable temperature range for operation of this camera is between 14°F ~ 122°F / -10°C ~ 50°C.
- 4. Clean the front face or lens**  
It is recommended that the surface be cleaned every 3-6 months. Cleaning should be done by using a chamois, a very fine soft cloth, lens tissue, or cotton tipped applicator and ethanol to carefully remove any fingerprint or dust.

## **5. Check the power source voltage**

The power source voltage should be within the specified range. (Camera must meet the specifications). Camera must be connected to a surge protector at all times.

## **6. Objects and liquid entry**

Never push objects of any kind into this camera as this may touch dangerous voltage points of short out parts that could result in a fire or electric shock. Never spill any kind of liquid on the video product.

## **7. Servicing**

Do not attempt to service this video product by yourself as opening or removing covers may expose you to dangerous voltage or other hazards. Refer all service to qualified servicing personnel.

## **8. Damage requiring service**

Unplug this video product from the wall outlet and refer service to qualified servicing personnel under the following conditions:

- a. When the power supply cord or plug is damaged.
- b. If liquid has been spilled, or objects have fallen into the video product.
- c. If the video product has been exposed to rain or water.
- d. If the video product has been dropped or the cabinet has been damaged.
- e. When the video product exhibits a distinct change in performance.

# **LIMITED WARRANTY**

This product is covered under warranty for one (1) year from the date of purchase. The warranty will automatically be voided if any of the following occurs:

### **1. Camera sticker is removed**

If the camera sticker is removed, we will not be able to confirm any information regarding when and where the product was purchased. We have no other way to verify the purchase record without the serial number on the camera sticker; therefore, it should not be removed.

### **2. Camera is modified in any way**

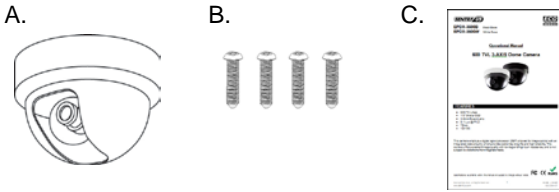
If the camera is scratched, damaged, or modified in a manner not described in this manual, the warranty will be voided immediately. It is the customer's responsibility to keep the camera in good condition.

### **3. Video or power cable is cut**

The video cable and the power cable should not be tampered with. Cutting or modifying of the cables will result in termination of the warranty.

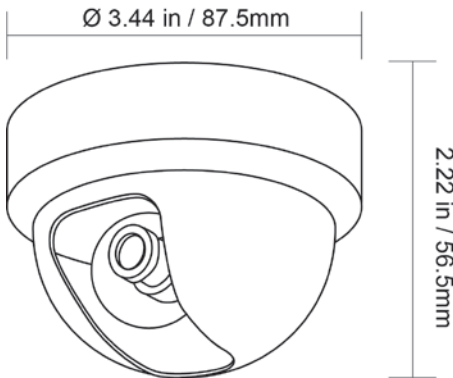
## PACKAGE CONTENTS

- A. One (1) Dome Camera with power/video cable
- B. Four (4) Mounting Screws
- C. One (1) Manual



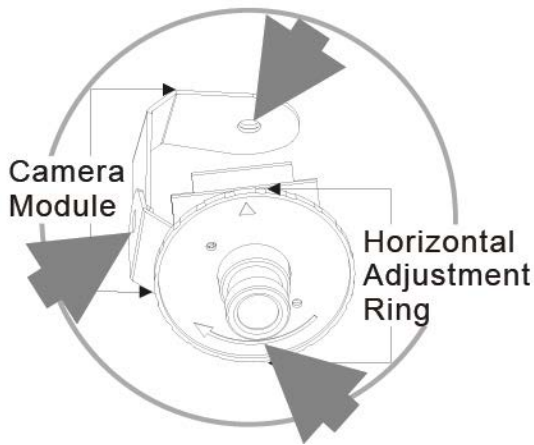
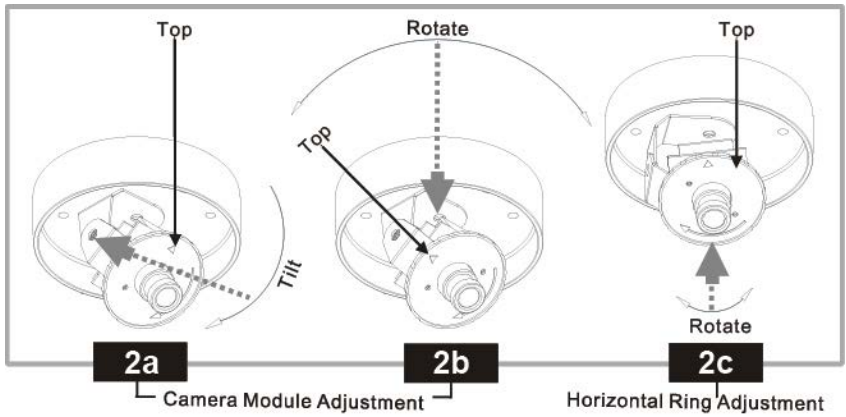
\* For any returns, please include all components listed above with original packaging in **Resalable Condition**. **Absolutely No Returns** will be accepted if any component is missing/damaged.

## DIMENSIONS

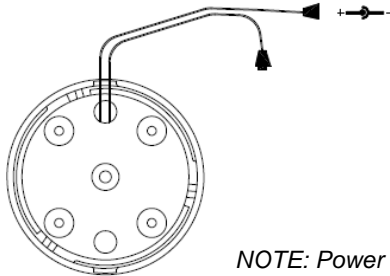


## INSTALLATION & OPERATION

1. Remove the dome cover from the mounting base by rotating the dome cover clockwise.
2. Adjust the camera viewing angle by first tilting (2a) then rotating the camera module (2b). Then turn the horizontal adjustment ring (2c) to correct the image and achieve proper orientation. See illustration on page 5.



3. Once the installation is complete, replace the dome cover over the camera and tighten it by turning counterclockwise.
4. Connect the video output to the monitor or other video device through a 75 Ohms type coaxial cable and the DC-Jack or DC-Terminator to the power source.



*NOTE: Power adapter sold separately.*

# SPECIFICATIONS

<b>Model (NTSC)</b>	<b>EPDX-3600B</b>	<b>EPDX-3600W</b>
<b>Model (PAL)</b>	<b>EPDX-3600BP</b>	<b>EPDX-3600WP</b>
<b>Mounting Base Color</b>	Black	White
<b>Image Sensor</b>	1/3" Sharp CCD	
<b>Effective Picture Elements</b>	NTSC: 768(H) x 494(V) PAL: 752(H) x 582(V)	
<b>Resolution</b>	600 TV Lines	
<b>Minimum Illumination</b>	0.1 Lux / F1.2	
<b>S/N Ratio</b>	More than 48dB	
<b>Auto Electronic Shutter</b>	NTSC: 1/60sec ~ 1/100,000sec PAL: 1/50sec ~ 1/100,000sec	
<b>Gamma Correction</b>	0.45	
<b>Gain Control</b>	Auto	
<b>White Balance</b>	Auto	
<b>Synchronization</b>	Internal	
<b>Video Output</b>	1Vp-p / 75 Ohms	
<b>Lens</b>	3.6mm Board Lens	
<b>Voltage Requirement</b>	12V DC $\pm$ 10%	
<b>Power Consumption</b>	75mA max.	
<b>Operating Temperature</b>	+14°F ~ +122°F / -10°C ~ +50°C.	
<b>Dimensions (Ø x H)</b>	3.44 x 2.22 inches 87.5 x 56.5mm	
<b>Net Weight</b>	0.43 lbs / 195g	

\* Specifications are subject to change without notice

OEM Product Item Code: D-248 / D-247

**MADE IN TAIWAN**